



Reverse Osmosis Components

***Cyclon filters***

CYCLON FILTERS

SPEEDBLUE P0

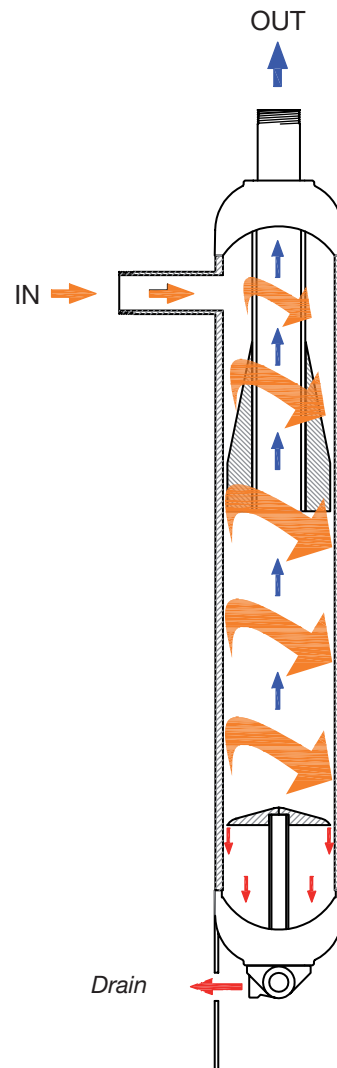


**Introduction**

The cyclon filter model SPEEDBLUE P0 is designed to remove all inorganic suspended solids from surface water (sea water, rivers and lakes), well water and waste water. The SPEEDBLUE P0 guarantees an efficiency higher of 90% for all the particles bigger of 70 micron with a specific gravity equal or higher of 2,6 kg/dm<sup>3</sup>

Recommended applications include:

- Prefiltration for water treatment plants
- Process water
- Heat exchangers
- Irrigation
- Aquaculture
- Protection of spray nozzle



**Materials**

Component	Description
Body	Polyethylene
Thread connections	GAS thread UNI338-66
Internal cone	PVC
Seals	NBR

**CYCLON FILTERS**

Model	SPEEDBLUE P0 10	SPEEDBLUE P0 15	SPEEDBLUE P0 20	
Code	S00P0PE010	S00P0PE015	S00P0PE020	
Connections IN/OUT	1" M	1"1/2M	2" M	
Drain	3/4" F	3/4" F	3/4" F	
Pressure min-max Bar	1-6	1-6	1-6	
Temperature max - °C	40	40	40	
pH min-max	5 - 8	5 - 8	5 - 8	
Max diam. inlet particles mm	5	5	5	

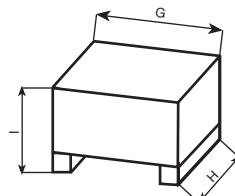
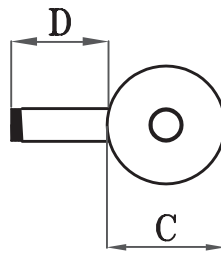
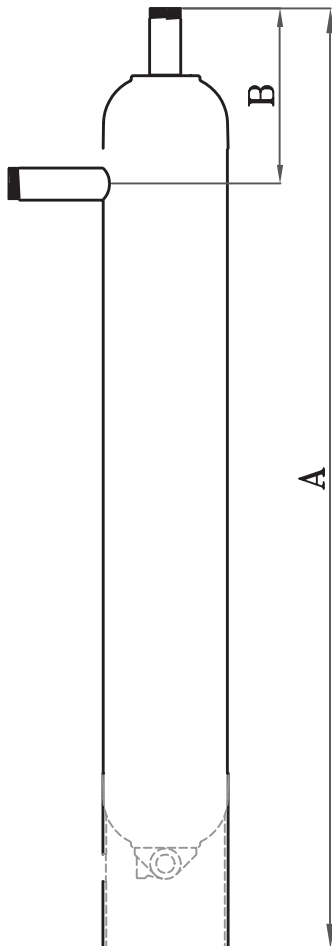
Flow rate m <sup>3</sup> /h	6 - 12	11 - 25	18 - 35	Max clean water flow rate in m <sup>3</sup> /h at 20°C and differential pressure 0,5 bar.
-----------------------------	--------	---------	---------	---

Sizes	A (mm)	1160	1260	1340	Measurements may be changed by the manufacturer without notice.
	B (mm)	260	260	260	
	C (mm)	182	182	182	
	D (mm)	150	150	150	
	Weight kg	9	10	14	

Packaging	G (mm)	1510	1510	1510	The packaging may be changed by the manufacturer without notice.
	H (mm)	360	360	360	
	I (mm)	360	360	360	
	Weight (kg)	10	11	15	

<b>Price € each</b>	€ 1.324,00	€ 1.824,00	€ 1.936,00	
---------------------	------------	------------	------------	--

**SPEEDBLUE P0**



**STAINLESS STEEL AISI 316 CYCLON FILTERS**

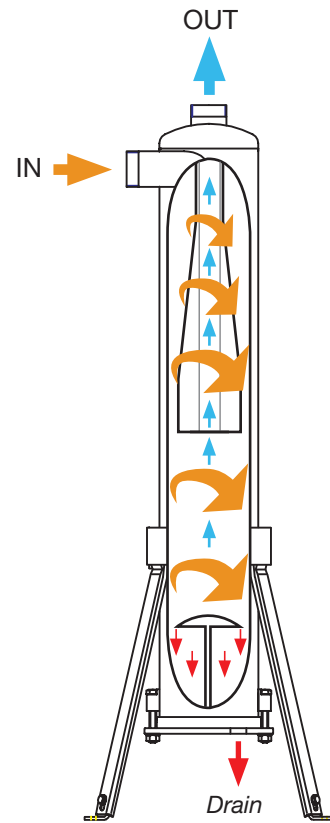
**SPEEDBLUE 0**

**Introduction**

The cyclon filter model SPEEDBLUE 0 is designed to remove all inorganic suspended solids from surface water (rivers and lakes), well water and waste water. The SPEEDBLUE 0 guarantees an efficiency higher of 90% for all the particles bigger of 70 micron with a specific gravity equal or higher of 2,6 kg/dm<sup>3</sup>

Recommended applications include:

- Prefiltration for water treatment plants
- Process water
- Heat exchangers
- Irrigation
- Aquaculture
- Protection of spray nozzle



**Materials**

Component	Description
Body	AISI 316 with MIG weldings and acid dipped.
End cap	AISI 316
Flange connections	AISI 316. PN10 UNI2277
Thread connections	GAS thread UNI338-66
Internal cone	PVC
Seals	NBR

**STAINLESS STEEL AISI 316 CYCLON FILTERS**

Model	SPEEDBLUE 0 7	SPEEDBLUE 0 10	SPEEDBLUE 0 15	SPEEDBLUE 0 20	SPEEDBLUE 0 30	SPEEDBLUE 0 100	
Code	S0000316007	S0000316010	S0000316015	S0000316020	S0000316030	S0000316100	
Connections IN/OUT	3/4" M	1" M	1"1/2M	2" M	3" M	DN100	
Drain	3/8" F	1/2" F	1/2" F	3/4" F	3/4" F	1" F	
Pressure min-max Bar	1-10	1-10	1-10	1-10	1-10	1-10	On request
Temperature max - °C	60	60	60	60	60	60	
pH min-max	5 - 8	5 - 8	5 - 8	5 - 8	5 - 8	5 - 8	
Max diam. inlet particles mm	5	5	5	5	5	5	

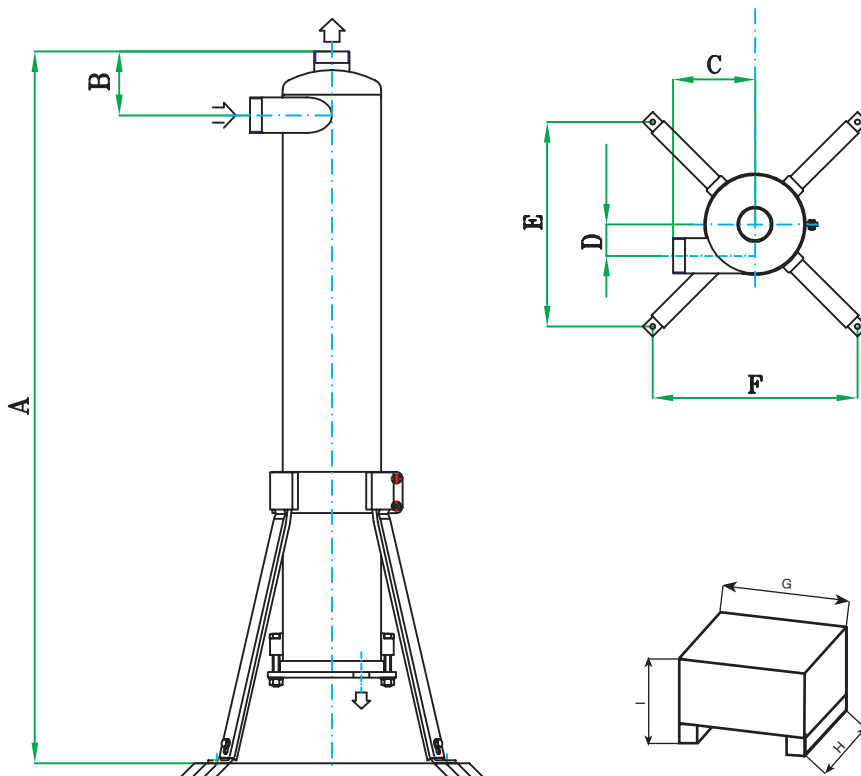
Flow rate m³/h	3,5 - 7	6 - 12	11 - 25	18 - 35	32 - 56	52 - 102	Max clean water flow rate in m³/h at 20°C and differential pressure 0,5 bar.
----------------	---------	--------	---------	---------	---------	----------	--

Sizes	A (mm)	780	935	1050	1220	1555	2300	Measurements may be changed by the manufacturer without notice.
	B (mm)	75	85	100	110	140	205	
	C (mm)	80	100	120	140	180	355	
	D (mm)	31	43	46	54	65	105	
	E (mm)	295	315	330	350	385	460	
	F (mm)	295	315	330	350	385	460	
	Peso - Weight kg	11	15	21	32	51	73	

Packaging	G (mm)	1150	1150	1150	1200	1700	2400	The packaging may be changed by the manufacturer without notice.
	H (mm)	180	180	360	500	580	580	
	I (mm)	180	180	360	400	500	500	
	Weight (kg)	12	16	23	34	54	76	

Price € each	€ 1.585,00	€ 1.892,00	€ 2.607,00	€ 2.767,00	€ 3.850,00	€ 6.328,00	Duplex on request
--------------	------------	------------	------------	------------	------------	------------	-------------------

**SPEEDBLUE 0**



**European Community members only**  
 These filters satisfy all requirements of the European Directive for Pressure Equipment (P.E.D.) 97/23/EC, following module A (internal production control) as conformity assesment procedure.

Construction certificates: CE